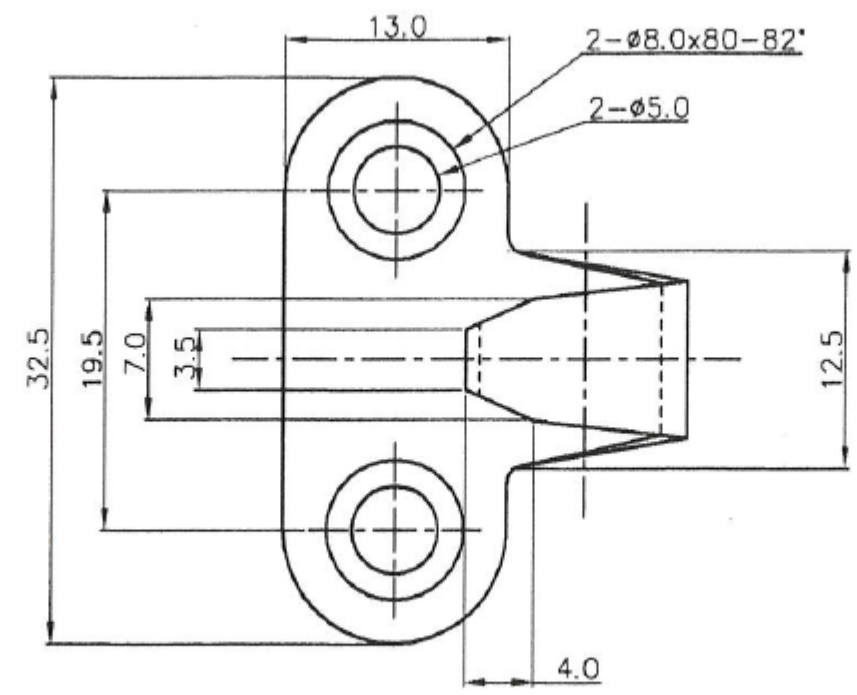
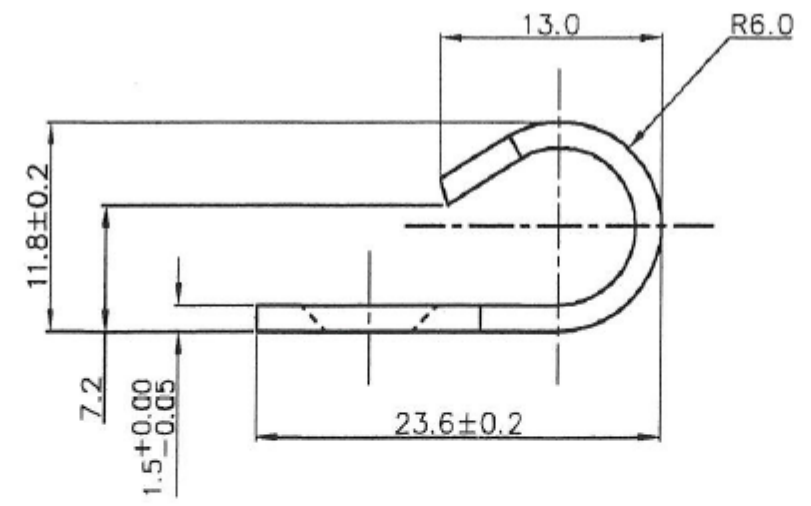


REV.	DESCRIPTION	DATE	DWG. BY
A	0.0	00/00/00	-

A17



BURR  
↓



USE FOR DWG. NO.	QUANTITY
A17	1

1. A17 = 1.5tx45x36p = 1,782 PCS.
2. STEEL BALL VIBRATION FINISH

	DRAWING BY: POY	TITLE :	
	DATE: 22/09/1999	CUSTOMER :	
TOLERANCE	CHECKED BY: PK.	REVISION : A	MATERIAL : #304 1.5t
MM.	DATE: 01/08/2009	SCALE: 2:1	DWG. NO. : A17
0.0 ±0.13	FILE :	ERP	01/08/09
0.00 -			